



**Electrolux**  
PROFESSIONAL

## Standard Preparation 2400 mm Sink with 2 Bowls & 2 Drains

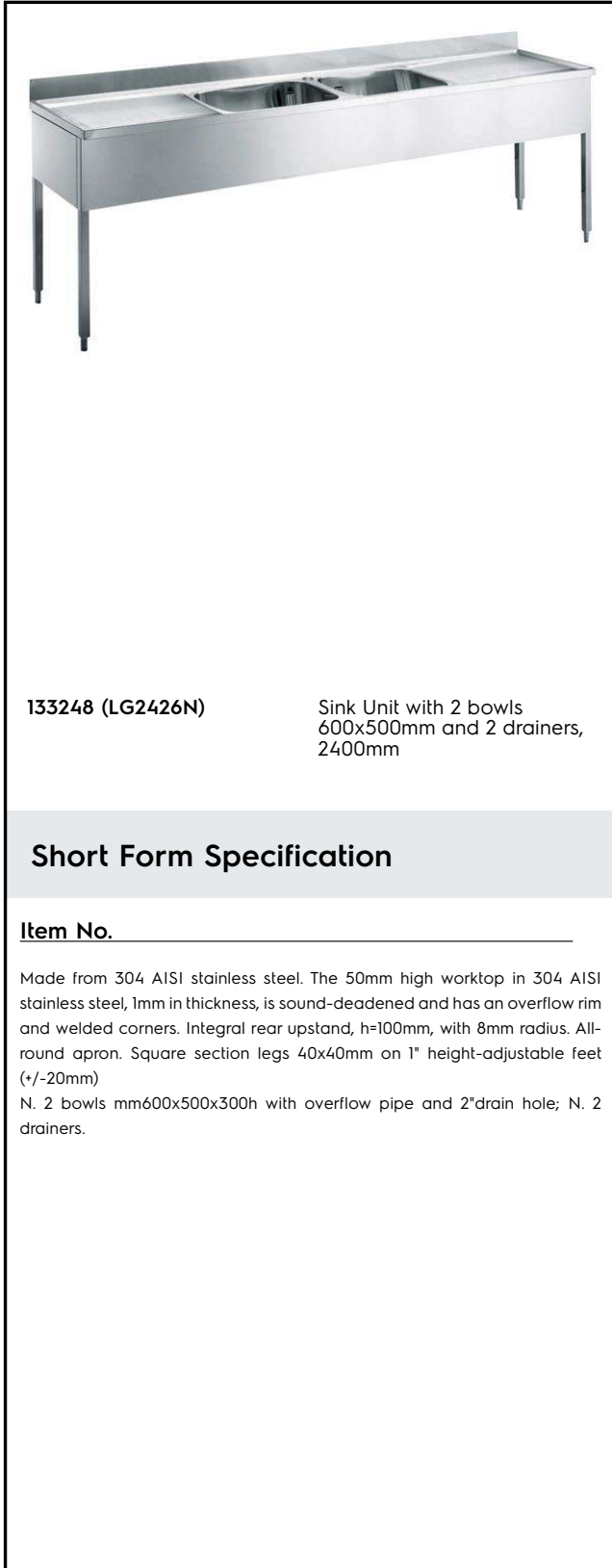
ITEM # \_\_\_\_\_

MODEL # \_\_\_\_\_

NAME # \_\_\_\_\_

SIS # \_\_\_\_\_

AIA # \_\_\_\_\_



133248 (LG2426N)

Sink Unit with 2 bowls  
600x500mm and 2 drainers,  
2400mm

### Short Form Specification

**Item No.** \_\_\_\_\_

Made from 304 AISI stainless steel. The 50mm high worktop in 304 AISI stainless steel, 1mm in thickness, is sound-deadened and has an overflow rim and welded corners. Integral rear upstand, h=100mm, with 8mm radius. All-round apron. Square section legs 40x40mm on 1" height-adjustable feet (+/-20mm)

N. 2 bowls mm600x500x300h with overflow pipe and 2'drain hole; N. 2 drainers.

### Construction

- 50 mm worktop in 304 AISI stainless steel, 10/10 in thickness with overflow rim along the top.
- Sink bowl in 304 AISI stainless steel, supplied with overflow drain pipe and drain hole.
- 100 mm upstand with 8 mm radiused corner and 13 mm deep, designed to be used against a wall.
- Square section legs and 40 mm height-adjustable feet in 304 AISI stainless steel.
- Sink tops easily slotted onto the legs and taps are easily installed from the rear.
- Accessories available on request: lower shelf, tap unit, false bowl bottom, overflow filter, single or double syphons.

### Optional Accessories

- False bottom for right hand PNC 895100   
600x500mm Bowl
- Overflow filter for bowl (H=180 PNC 895130   
mm)
- Overflow filter for bowl (H=230 PNC 895131   
mm)
- Overflow filter for bowl (H=330 PNC 895132   
mm)
- False bottom for right and left PNC 895200   
hand 500x500 mm bowl

APPROVAL: \_\_\_\_\_

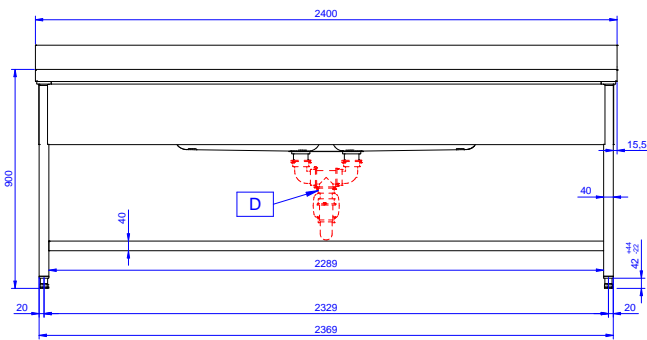


Experience the Excellence  
[www.electroluxprofessional.com](http://www.electroluxprofessional.com)

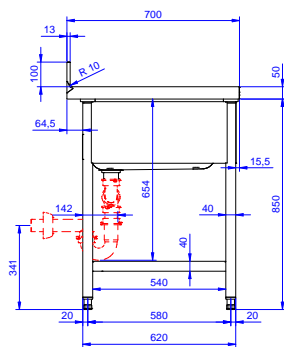
## Key Information:

<b>External dimensions, Width:</b>	<b>133248 (LG2426N)</b>	2400 mm
<b>External dimensions, Depth:</b>		700 mm
<b>External dimensions, Height:</b>		1000 mm
<b>Upstand Dimensions, Height:</b>		100 mm
<b>Upstand Dimensions, Depth:</b>		13 mm
<b>Upstand Dimensions, Radius:</b>		R=8
<b>Bowls number</b>		2
<b>Bowl dimensions</b>		600x500xH300
<b>Worktop thickness:</b>		50 mm
<b>Net weight:</b>		70 kg

Front



Side



D = Drain

Top

